

Tab lock washers.
Design and dimensions

13463—68

21 1977 . 429

01.01.78

3—93

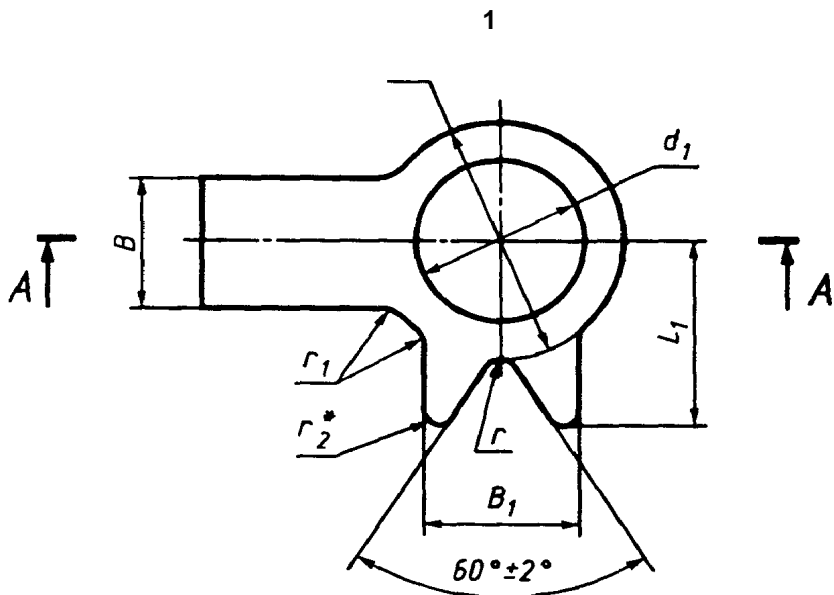
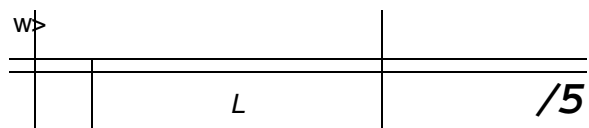
(5-6—93)

1.

3 48 .

(, . 1).

2.



*Размер для справок.

* (1998 .) 1987 . (1, 2, 9-83, 5—87)

1983 .,

©

, 1977
, 1999

d	dl	*1		L		5	1 jj. 16; 1 ±0	"	-				
		4	15	4	15								
3	3,2	5,5	3	4,0	12	5,0	0,5	0,5	0,2	0,25			
4	4,3	7,0	4	5,0	14	6,0			0,5	0,5	0,30		
5	5,3	8,0	5	6,0	16	7,5			0,8	0,8			
6	6,4	10,0	6	7,5	18	9,0	0,8	1,0	1,2				
8	8,4	14,0	8	9,0	20	11,0							
10	10,5	17,0	10	10,0	22	13,0							
12	13,0	19,0	12	12,0	28	15,0	1,0	1,2	2,0	1,6			
(14)	15,0	22,0									15	15,0	32
16	17,0	24,0	18	18,0	36	22,0							
(18)	19,0	27,0					20	20,0	42	25,0			
20	21,0	30,0	24	24,0	48	30,0					1,6	3,0	2,5
(22)	23,0	32,0					26	26,0	52	32,0			
24	25,0	36,0											
(27) ...	28,0	41,0	36	36,0	70	42,0	1,6	2,0	4,0				
30	31,0	46,0								40	40,0	80	50,0
36	37,0	55,0	48	48,0	96	64,0							
42	43,0	65,0					56	56,0	112	70,0			
48	50,0	75,0	40	40,0	80	50,0							

- 1.
- 2.

6 :

d— 10 , 03, 01,

10.03.016 13463-77

05: , 2, — 12 03, -

2.10 12.03.05 13463-77

(, .N°1,2).

3.

d,

12.

4.

d₂,

1,6 .

<15 *

(

, . 1).

5.

2°

60°±2°.

5 .

(

, .N°2).

6.

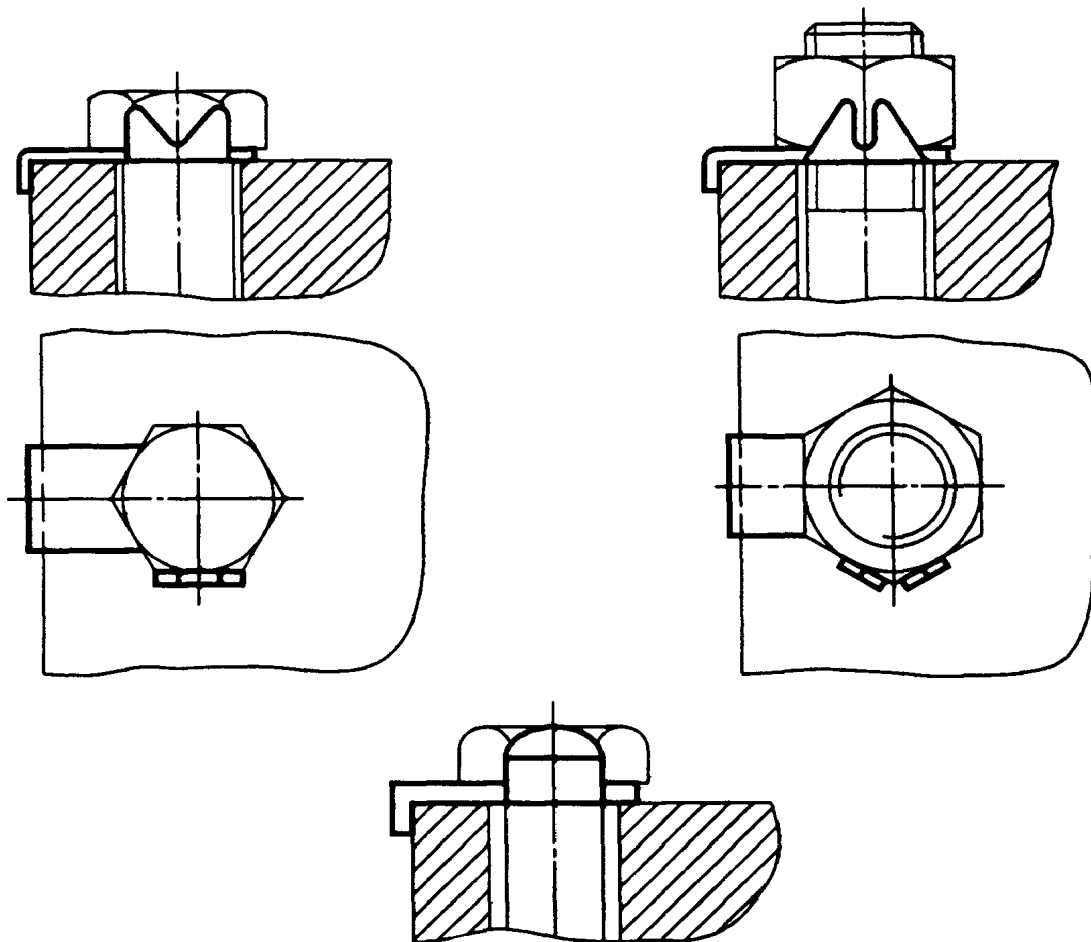
— 18123—82.

7.

1.

8.

2.



(, . 2).

d_y	1000 . ,	d_t	1000 . ,
3	0,189	18	6.048
4	0.283	20	6.432
5	0.387	22	7,839
6	0.875	24	8.688
8	1.574	27	18.570
10	2.338	30	22.330
12	3.185	36	30.550
14	3.480	42	42.530
16	4,595	1 48	55,300

1,009 —
1,080 —